

2-Wire System DT597 Outdoor Station





- High resolution camera
- #S316 stainless steel panel
- Auto-sensor led light compensation
- Name plate display area
- Conversation indicator & Microphone
- Metal Call button



High Resolution Camera

- 500TVL image quality
- 105° wide-angle camera for large area
- Optical glass lens for better performance



Ingenious Indicator Illumination

- Replaceable nameplate with orange backlight
- Metal call button with white backlight
- Conversation indicator hidden in the microphone

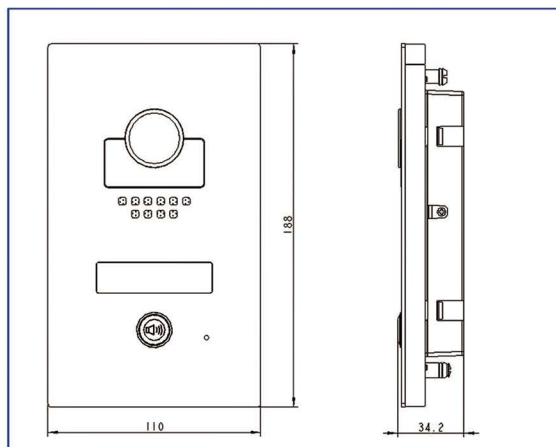


Safety & Elegance

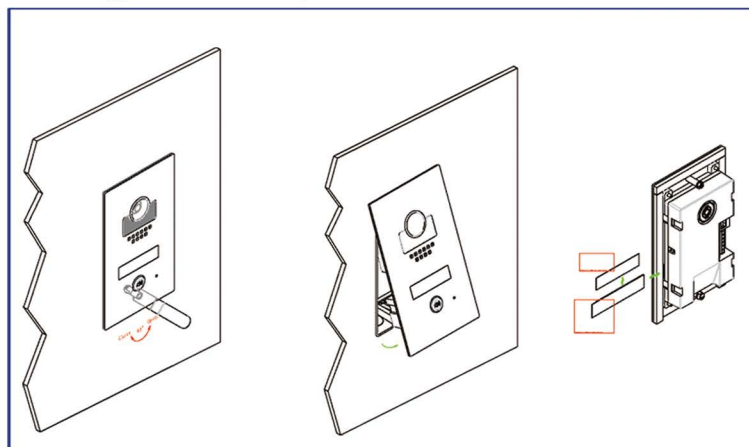
- Vandal-proof design without surface screw
- Full medical #S316 stainless steel front panel against Material vandalism and cauterization
- IP55 waterproof performance

ACTUAL SIZE

Dimensions



Placing the name plate



Mounting

